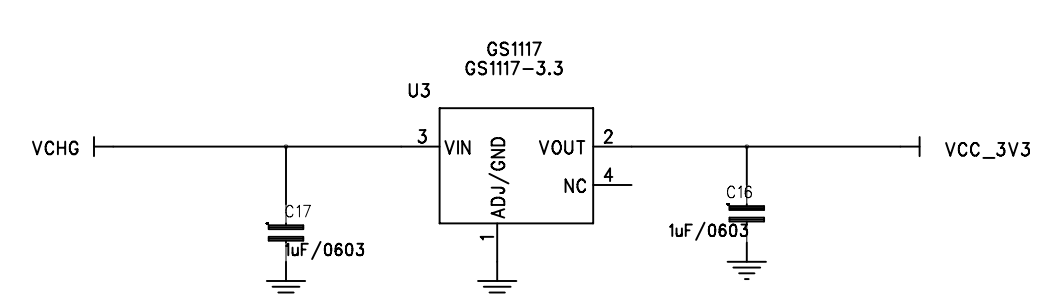
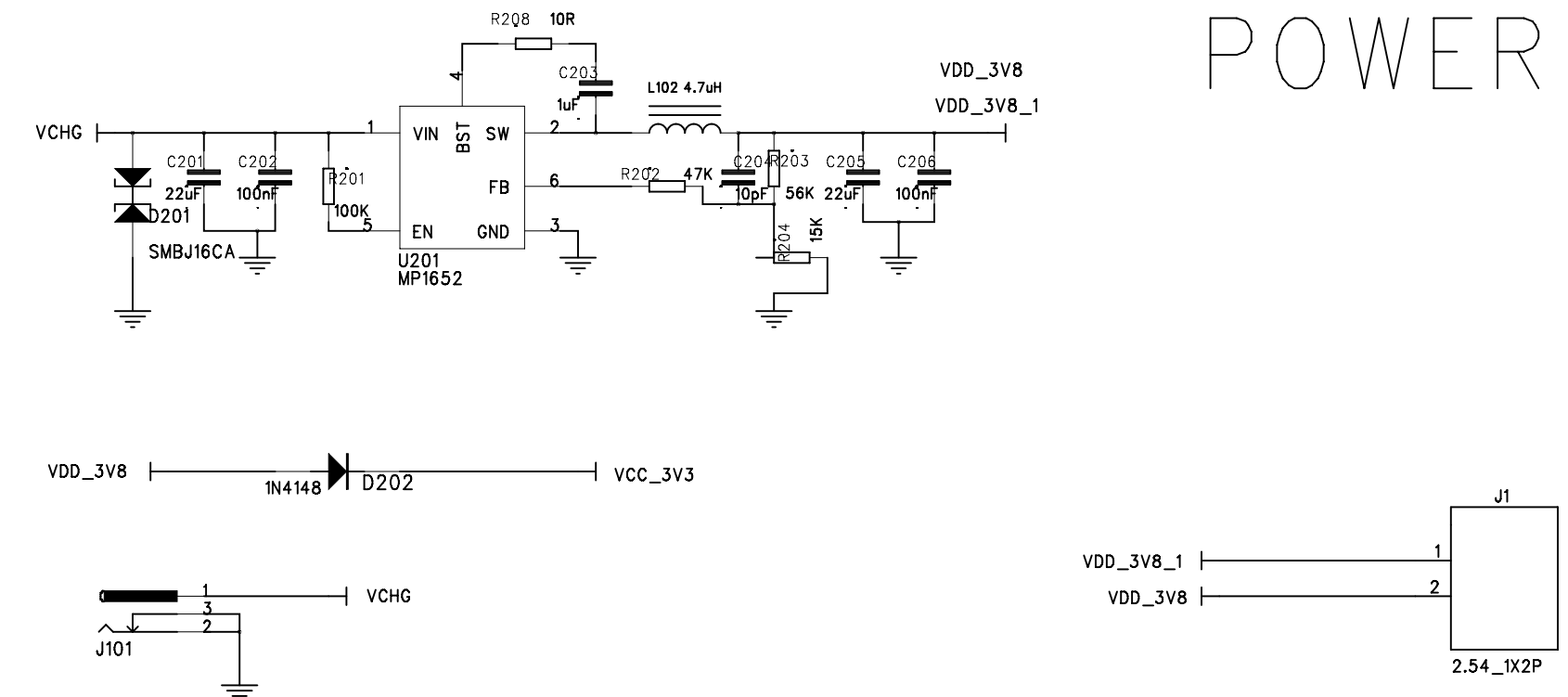
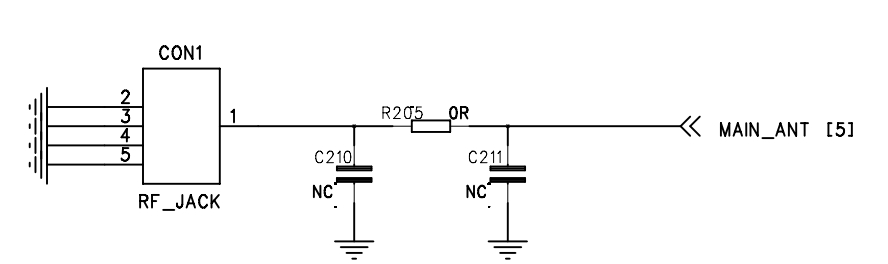


WH-G4051F	
Index	
Document Number	Rev
Galle Schematic	1a
Version	1 of 1

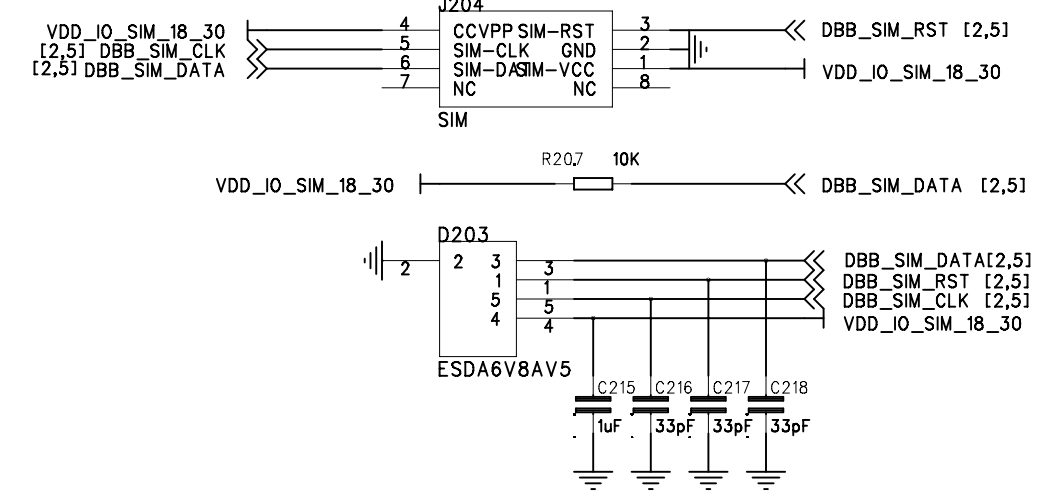
POWER



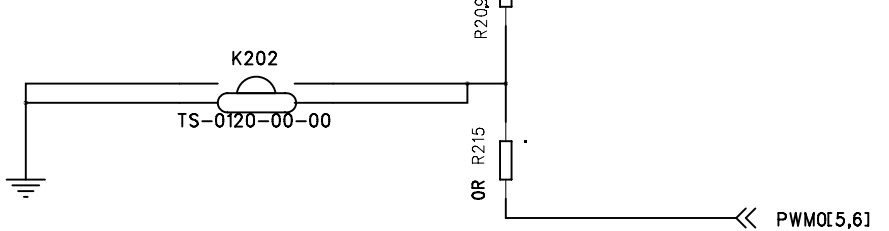
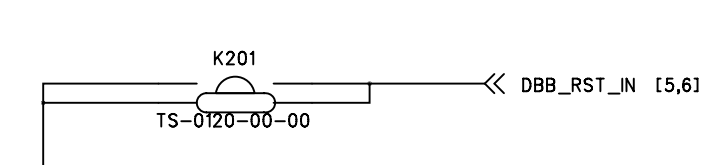
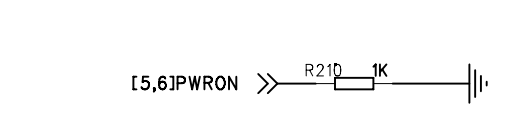
ANT

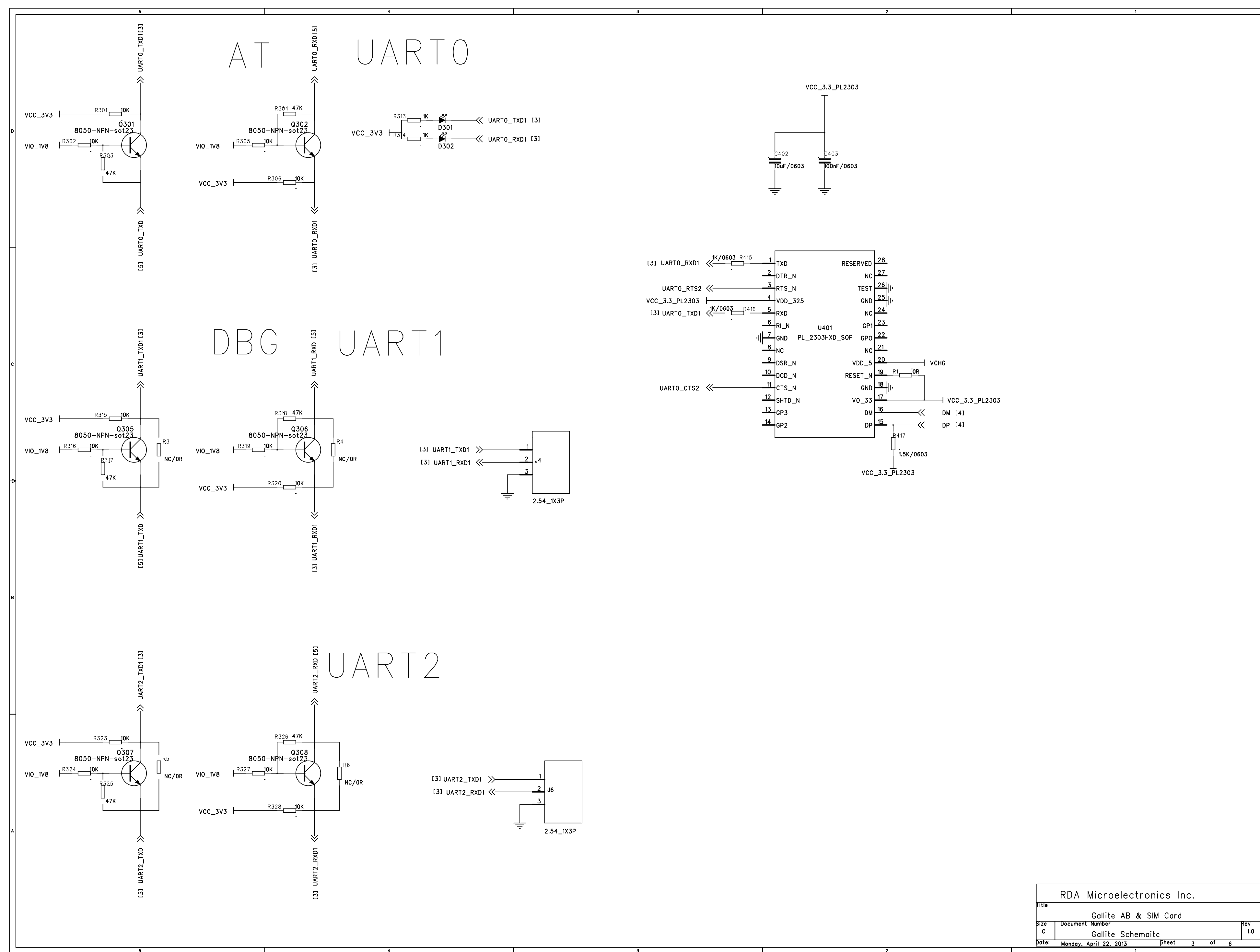


SIM

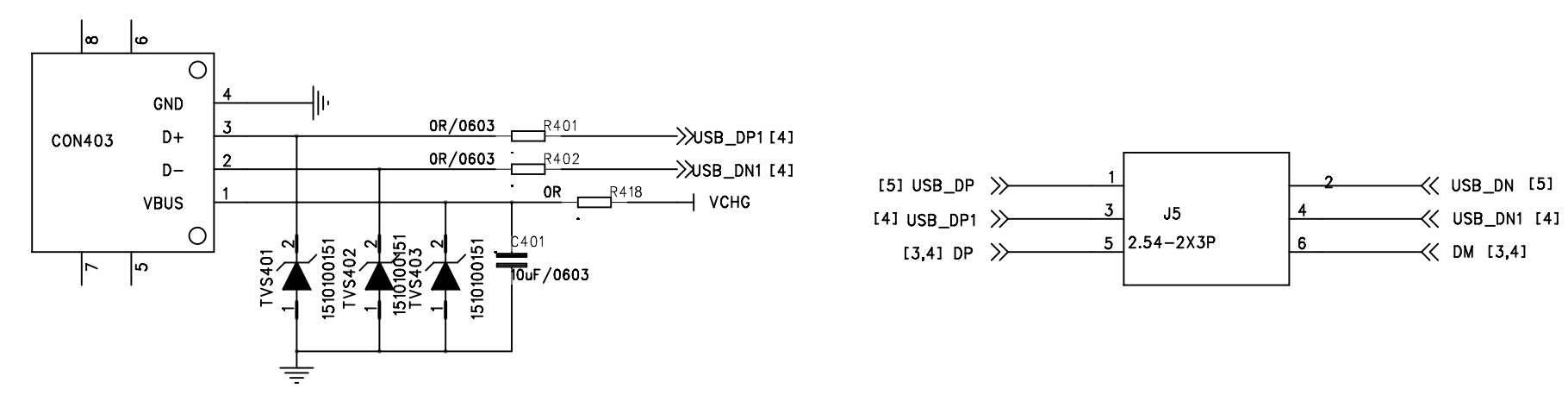


KEY

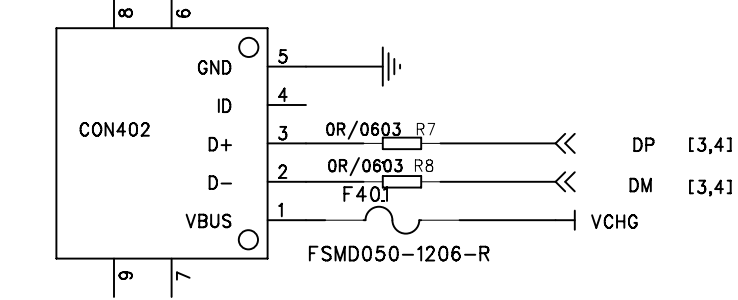


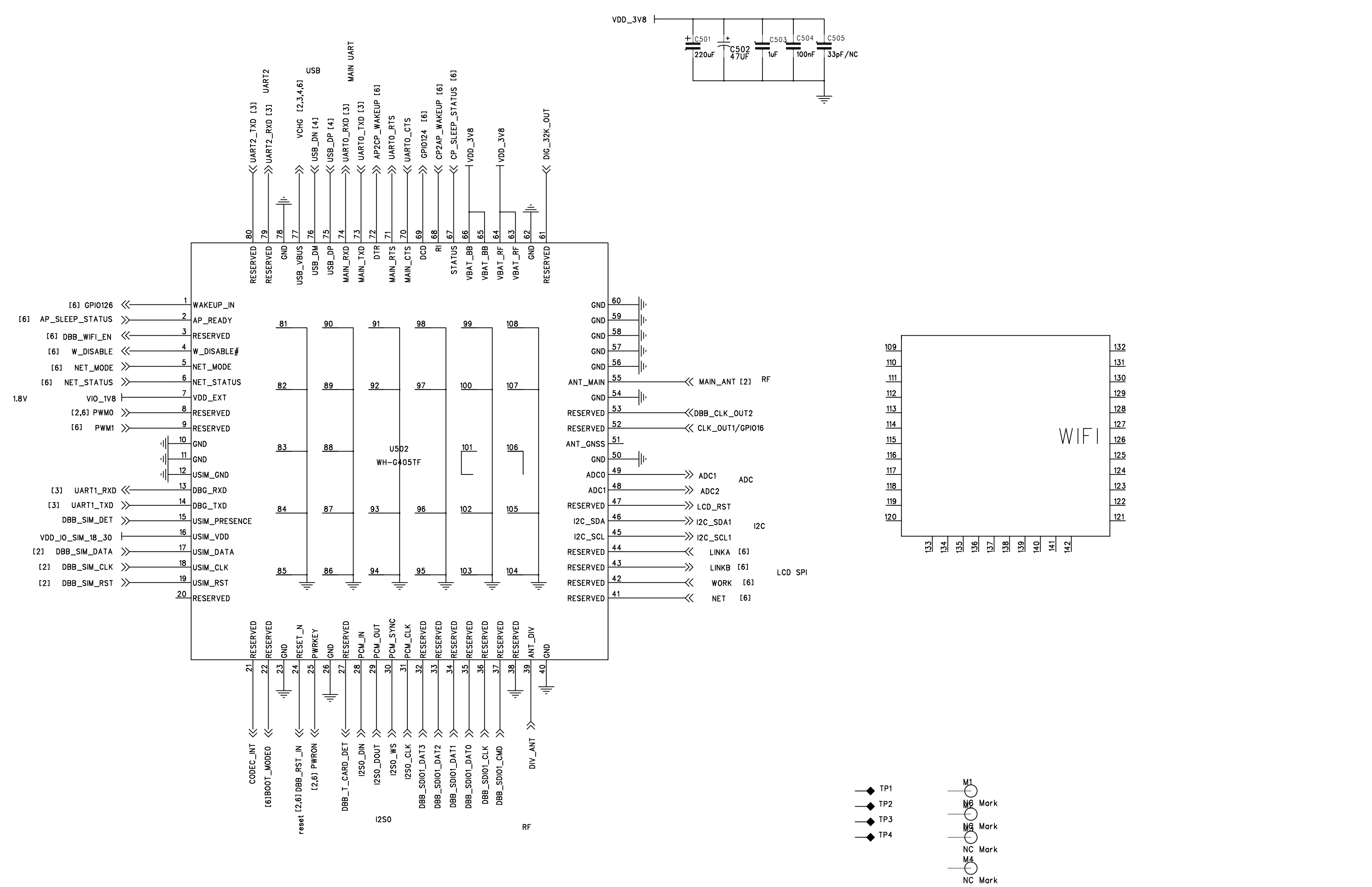


USB

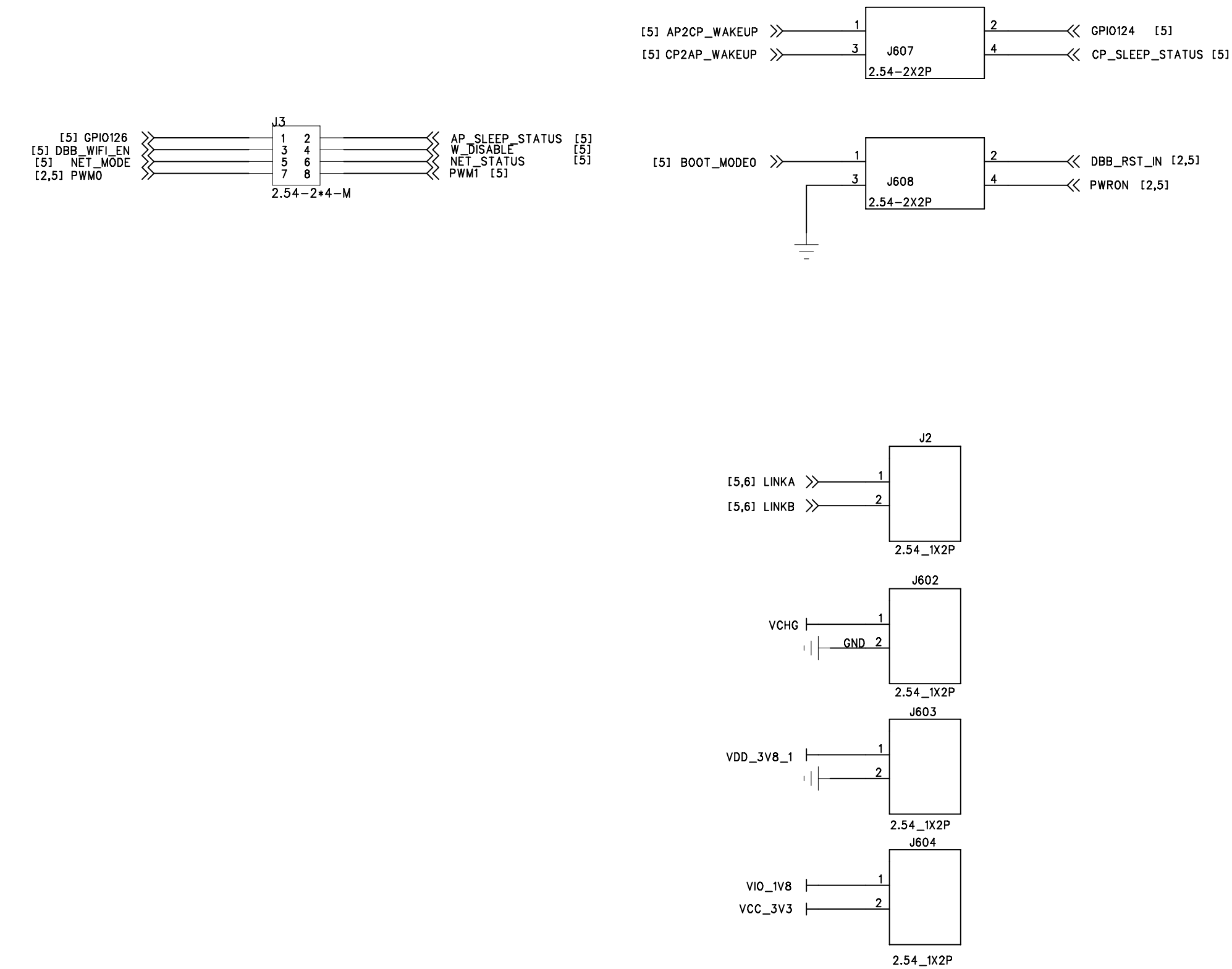


USB TO TTL

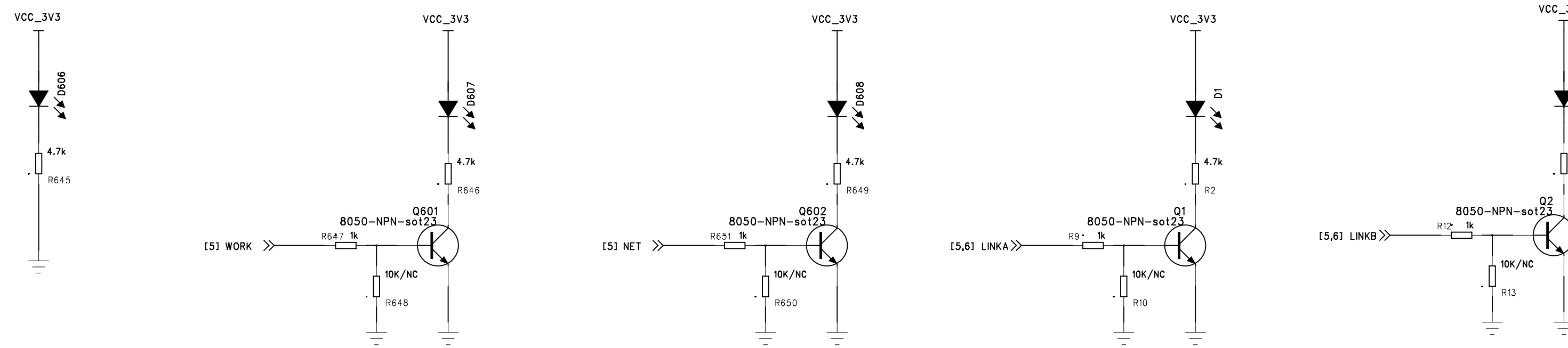




REVISION RECORD			
LTR	ECO NO.	APPROVED:	DATE:



LED



COMPANY:		<Company Name>			
TITLE:		<Title>			
DRAWN:	DATE:	CHECKED:	DATE:	CODE:	SIZE:
<Drawn By>	<Drawn Date>	<Checked By>	<Checked Date>	<Code>	<Size>
QUALITY CONTROL:	DATE:	RELEASED:	DATE:	DRAWING NO.:	
<QC By>	<QC Date>	<Release By>	<Release Date>	E<Drawing Number>Revision>	
SCALE:			SHEET:		6 of 6