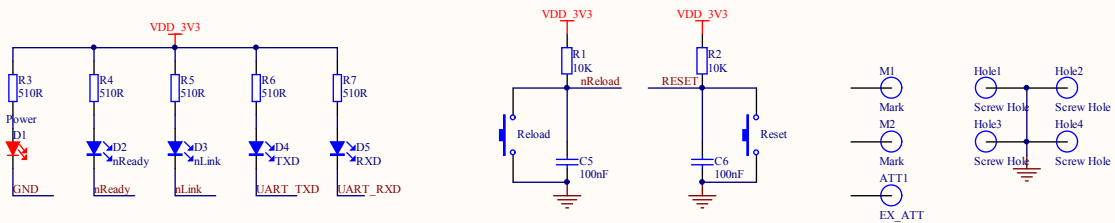
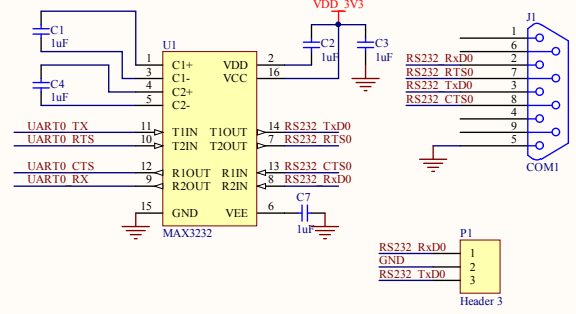


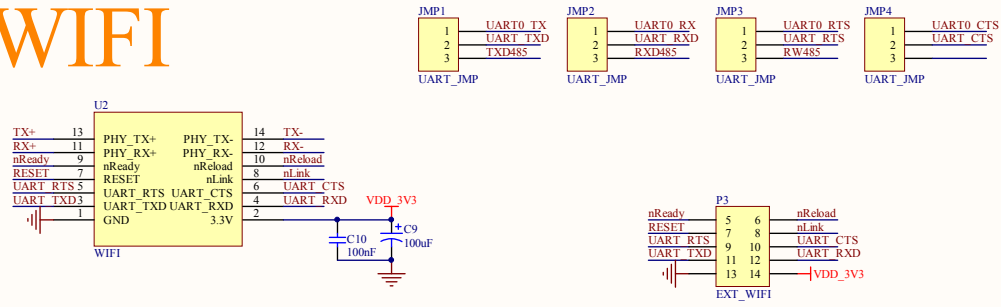
KEY&LED



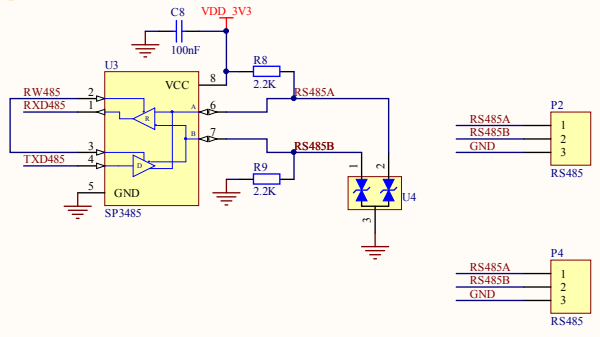
RS232



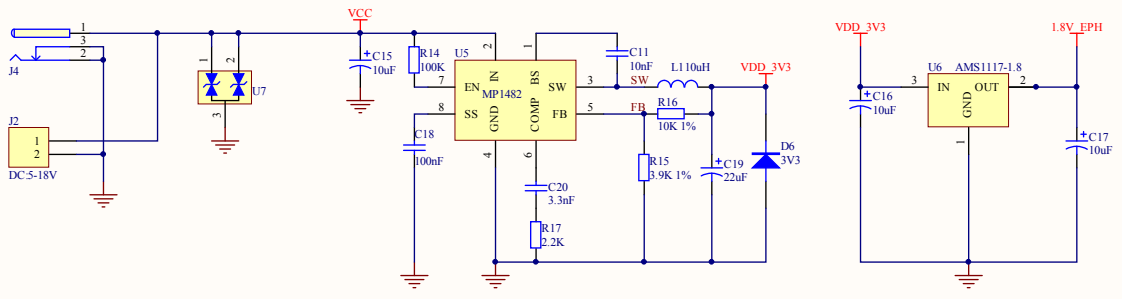
WIFI



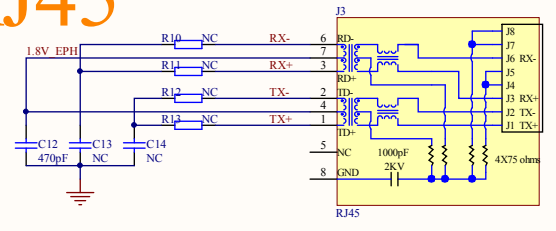
RS485



POWER



RJ45



Title		
Size	Number	Revision
A3		
Date:	2017-07-06	Sheet of
File:	F:\WIFI\USR-WIFI232-2E V2.2.sch	Drawn By: